

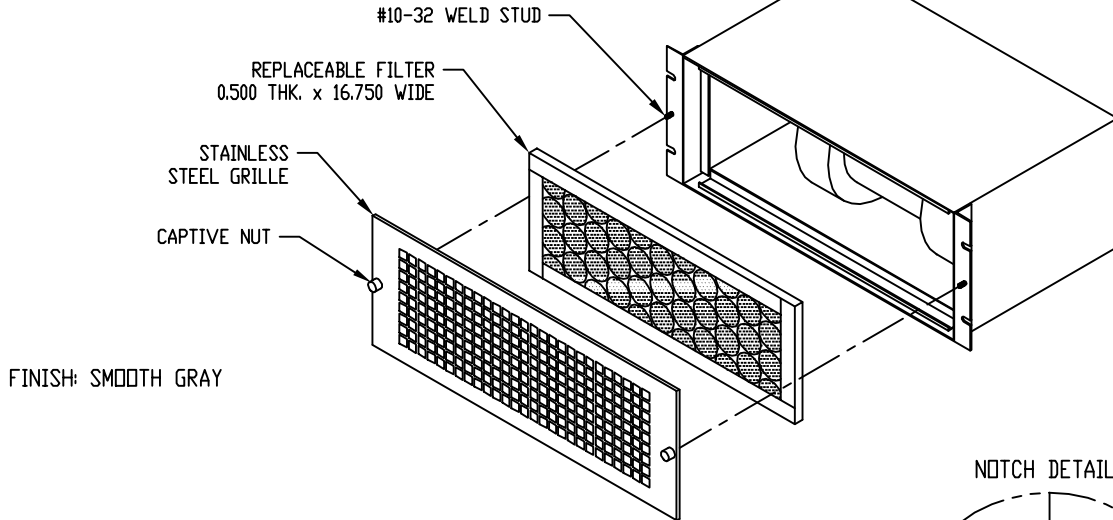
PART NAME

BLOWER

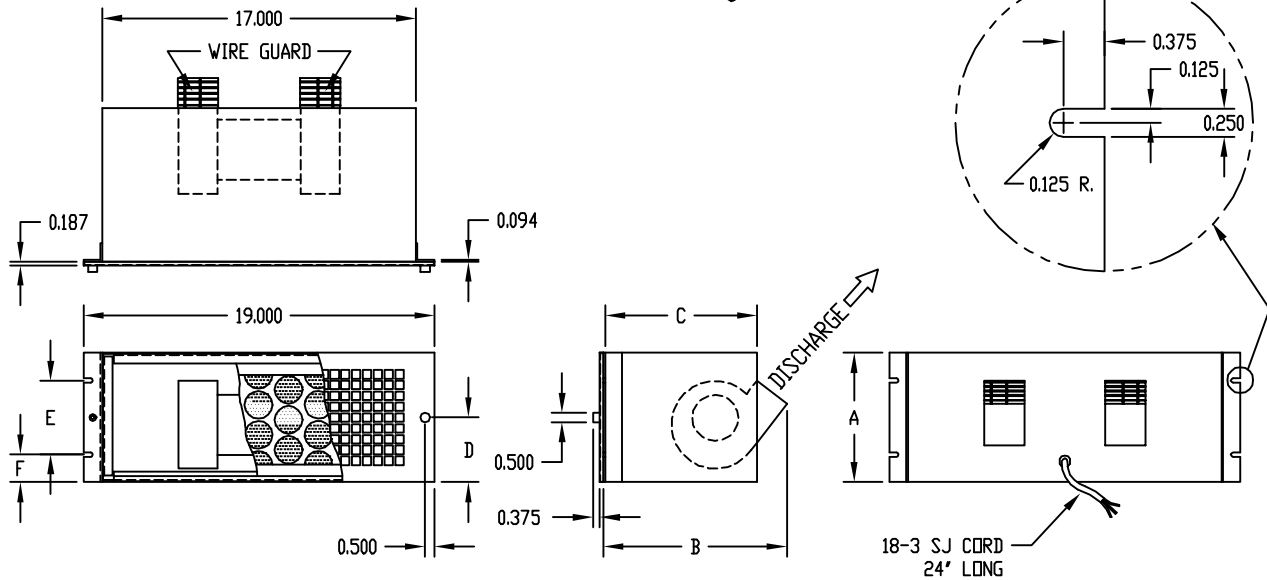
PART No.

B-52

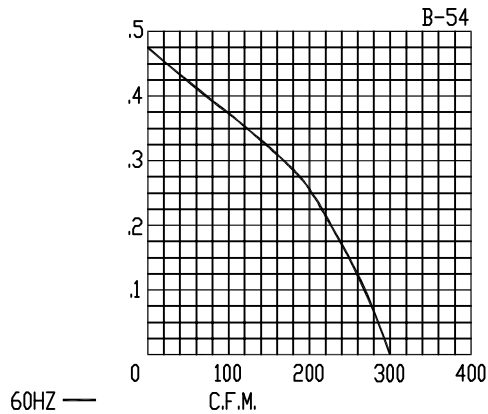
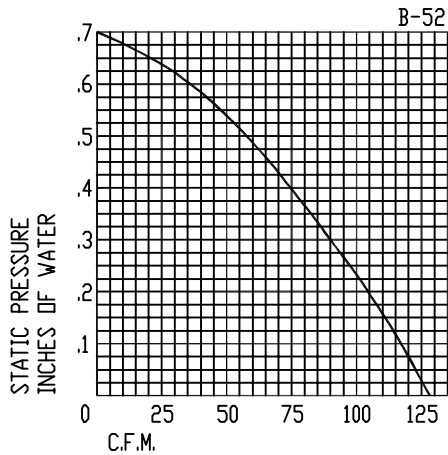
B-54



FINISH: SMOOTH GRAY



AIR DISPLACEMENT:



\* NOMINAL AIR FLOW AT "D" STATIC PRESSURE

PART NO.	A	B	C	D	E	F	POWER	C.F.M. * 60 HZ	R.P.M.	WATTS	FILTER
B-52	5.250	9.000	7.312	2.625	2.250	1.500	115 VAC	125	3000	70	BF-53
B-54	7.000	10.188	8.218	3.500	4.000	1.500		300	1550	95	BF-55